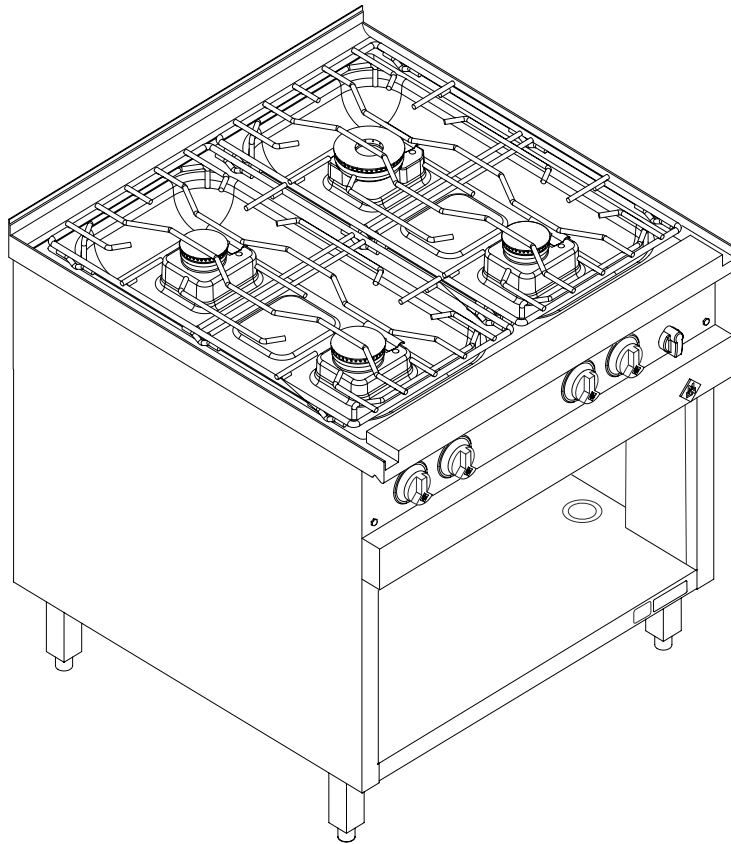




Read the operating instructions prior to commissioning

Operating instructions

Cooker



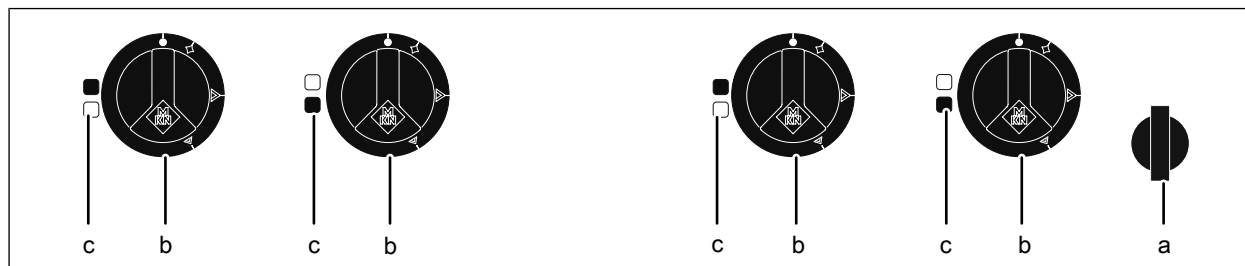
Translation from the original document • 2063401-20ABDE-A • 20/03/2018

| Unit | Type of energy | Unit type | Model |
|--------|----------------|---------------------|------------------------------------|
| Cooker | Gas | Floor-standing unit | OPGHED... O7GHE... HLGHEF... |
| | | Suspended unit | OIGHEF... |
| | | Countertop unit | SLGKOH... |

2063401-20ABBE-A

en-GB

Operating and display elements



a Gas shut-off valve
b Burner control knob

c Heat zone identification

Manufacturer

MKN Maschinenfabrik Kurt Neubauer GmbH & Co. KG
Halberstädter Strasse 2a
38300 Wolfenbüttel
Germany

Phone +49 5331 89-0
Fax +49 5331 89-280
Internet www.mkn.eu

Copyright

All rights to text, graphics and pictures in this documentation are held by MKN Maschinenfabrik Kurt Neubauer GmbH & Co. KG. Distribution or duplication is only permitted with the prior written consent of MKN.

Copyright by MKN Maschinenfabrik Kurt Neubauer GmbH & Co. KG.



| | |
|---|-----------|
| 1 Introduction | 5 |
| 1.1 About this manual | 5 |
| 1.1.1 Explanation of signs | 6 |
| 1.2 Intended use | 7 |
| 1.3 Warranty | 7 |
| 2 Safety information | 8 |
| 3 Rules of conduct when the smell of gas is detected | 11 |
| 4 Description of the unit | 12 |
| 4.1 Overview of the unit | 12 |
| 4.1.1 Distribution of the burners | 13 |
| 4.2 Function of the operating and display elements | 13 |
| 5 Operating the unit | 14 |
| 5.1 Tips for use | 14 |
| 5.2 Switching the unit on and off | 15 |
| 5.2.1 Switching on | 15 |
| 5.2.2 Switching off | 15 |
| 5.3 Basic functions | 16 |
| 5.3.1 Setting the output | 16 |
| 5.3.2 Putting on a simmer plate | 16 |
| 5.4 Cooking | 17 |
| 5.5 Pausing and end of use | 18 |
| 5.5.1 Short pause | 18 |
| 5.5.2 Long pause and end of use | 18 |
| 5.5.3 Testing the pilot burner function | 18 |
| 6 Cleaning and caring for the unit | 19 |
| 6.1 Preventing corrosion | 19 |
| 6.2 Removing rust spots | 20 |
| 6.3 Cleaning the housing | 20 |
| 6.4 Cleaning heat zone | 20 |
| 6.5 Cleaning the burners | 21 |
| 7 Troubleshooting | 23 |
| 7.1 Cause of failure and the remedy | 23 |
| 7.2 Nameplate | 23 |
| 8 Carrying out maintenance | 24 |
| 9 Disposing of the unit in an environmentally responsible manner | 25 |
| 10 Manufacturer's declaration | 26 |

1 Introduction

1.1 About this manual

The operating instructions are part of the unit and contain information:

- On safe operation,
- On cleaning and care,
- On remedies in case of faults.

Be aware of the following notes and adhere to them:

- Read the operating instructions completely before operating the unit for the first time.
- Make the operating instructions available to the operator at all times at the operating site of the unit.
- Insert any supplements from the manufacturer.
- Keep the operating instructions throughout the service life of the unit.
- Pass on the operating instructions to any subsequent operator of the unit.

Target group The target group of the instruction manual is the operator, who is entrusted with the operation, cleaning and care of the unit.

Figures All figures in this manual are intended as examples. Discrepancies between these and the actual unit can arise.

1.1.1 Explanation of signs



DANGER
Imminent threat of danger

Failure to comply will lead to death or very severe injuries.



WARNING
Possible threat of danger

Failure to comply can lead to death or very severe injuries.



CAUTION
Dangerous situation

Failure to comply can lead to slight or moderately severe injuries.

ATTENTION
Physical damage

Failure to comply can cause physical damage.



Notes for better understanding and operation of the unit.

| Symbol / sign | Meaning |
|---------------|---|
| • | Listing of information. |
| → | Action steps, which can be performed in any sequence. |
| 1. 2. | Action steps, which must be performed in the specified sequence. |
| ↳ | Result of an action performed or additional information about it. |

1.2 Intended use

This unit is intended to be used solely for commercial purposes, particularly in commercial kitchens.

This unit may only be used with suitable accessories and for the cooking of food.

It is forbidden to use the unit for purposes, which include the following:

- Heating rooms
- Heating flammable liquids
- Heating acids, alkaline solutions or other chemicals
- Heating preserved food
- Heating of warmer plates, containers and tins
- Drying cloths, paper or dishes
- As set-down area or working surface
- Storing supplies

The use of the unit is prohibited in the following countries:

- USA
- Canada

1.3 Warranty

The warranty is void and safety is no longer assured in the event of:

- Improper conversion or technical modifications of the unit,
- Improper use,
- Incorrect startup, operation or maintenance of the unit,
- Problems resulting from failure to observe these instructions.

2 Safety information

The unit complies with applicable safety standards. Residual risks associated with operation or risks resulting from incorrect operation cannot be ruled out and are mentioned specifically in the safety instructions and warnings.

The operator must be familiar with regional regulations and observe them.

Operation During operation, the following group of individuals must be supervised by an individual who is responsible for safety:

- Individuals with physical, sensory, or mental handicaps, or who lack the knowledge and experience to operate the unit properly.

The supervising individual must be familiar with the unit and the risks associated with it.

Hot surfaces Risk of burns from hot surfaces

- Protect arms and hands by wearing suitable protective gloves.
- Do not touch heating elements, hot surfaces or accessories immediately after use.
- Allow surfaces to cool prior to cleaning.

Risk of chemical burns from evaporating cleaners

- Follow the instructions of the cleaning agent manufacturer.

Defective unit Risk of injury from a defective unit

- Use gas shut-off valve to isolate unit from gas supply.
- Do not operate a defective unit.
- Allow only an authorized technician to repair the unit.

Escaping gas or exhaust gas Risk of asphyxiation and explosion from escaping gas

- Follow the rules of conduct when the smell of gas is detected (see "Rules of conduct when the smell of gas is detected").

Risk of asphyxiation and poisoning from exhaust gases

- Ensure that air inlet openings are free and that a sufficient amount of the necessary combustion air is supplied.
- Ensure that the exhaust gas outlet openings are free and that the exhaust gases are discharged properly.

Fire prevention Risk of fire from dirt and grease deposits

- Clean the unit when finished using it.

Risk of fire from overheating

- Observe the unit during operation.

Firefighting

- In the event of a fire, use the gas shut-off valve to isolate the unit from the gas supply.
- Use a Fire Class F fire extinguisher, never water, to extinguish grease fires. Other fires, for instance, can be extinguished with fire extinguishers suitable for Fire Classes A, B, C, CO₂ fire extinguishers or extinguishing media suitable for the fire class confronted.

Improper cleaning Risk of chemical burns from cleaning agent

- Follow the instructions of the cleaning agent manufacturer.
- Take appropriate protective measures when handling aggressive cleaning agents.

Risk of falling on smooth floors

- Keep the floor in front of the unit clean and dry.

Risk of physical damage from improper cleaning

- Clean the unit after using it.
- Do not clean the unit with a high-pressure cleaner or water jet.
- Do not clean the housing with highly abrasive or chemically aggressive cleaning agents.
- Do not clean the housing with highly abrasive sponges.
- Follow the instructions of the cleaning agent manufacturer.
- Do not cool shock the unit by cooling it abruptly.
- Do not use any bleaching or chlorine-containing cleaners or disinfectants.
- Do not immerse the housing in water.
- Removal overcooked food from the burner cup or burner head.

Hygiene Health risk from insufficient hygiene

- Observe applicable regional hygiene regulations.
- Follow the cleaning instructions.

Improper use Risk of physical damage from improper use

- Do not operate the unit outdoors.
- Use only original accessories.
- Train operators regularly.
- Do not heat food warmer plates or tins of preserved food.
- Observe the unit during operation.
- Use only cookware that is dry outside.
- Use only appropriate and undamaged cookware.

Safety information

- Remove spices, overcooked food or the like immediately.
- Do not use cookware with a rough bottom.

3 Rules of conduct when the smell of gas is detected



DANGER

Risk of asphyxiation and explosion from escaping gas

Follow the rules of conduct when the smell of gas is detected.

- Remain calm.
- Open windows and doors and ventilate rooms.
- Avoid rooms with the smell of gas.
- Do not smoke.
- Do not ignite any flames. Extinguish flames.
- Do not create any sparks. Do not operate any switches, electrical devices or use telephones.
- Remove mobile phones and radio-controlled devices from the danger area.
- Close gas shut-off valves at the gas meter, at the main feed and, if possible, at the units.
- Warn other individuals in the building. Call out and knock, do not ring doorbells.
- Leave the building and prevent entry by others.
- Observe the safety instructions of the gas utility.
- Once outside the building, notify the responsible parties:
 - If the smell of gas comes from the unit, notify Customer service.
 - If the source of the gas smell can not be localised immediately, notify the gas utility.
 - If the escaping gas is audible, leave the building immediately, prevent others from entering and notify the fire brigade, police and gas utility.
 - If the smell of gas comes from inaccessible rooms, notify the fire brigade, police and gas utility.

4 Description of the unit

4.1 Overview of the unit

The unit is intended for universal use in commercial kitchens for cooking food in pots and pans on a surface. Possible uses are cooking, stewing, frying, braising, boiling and combined frying and cooking.

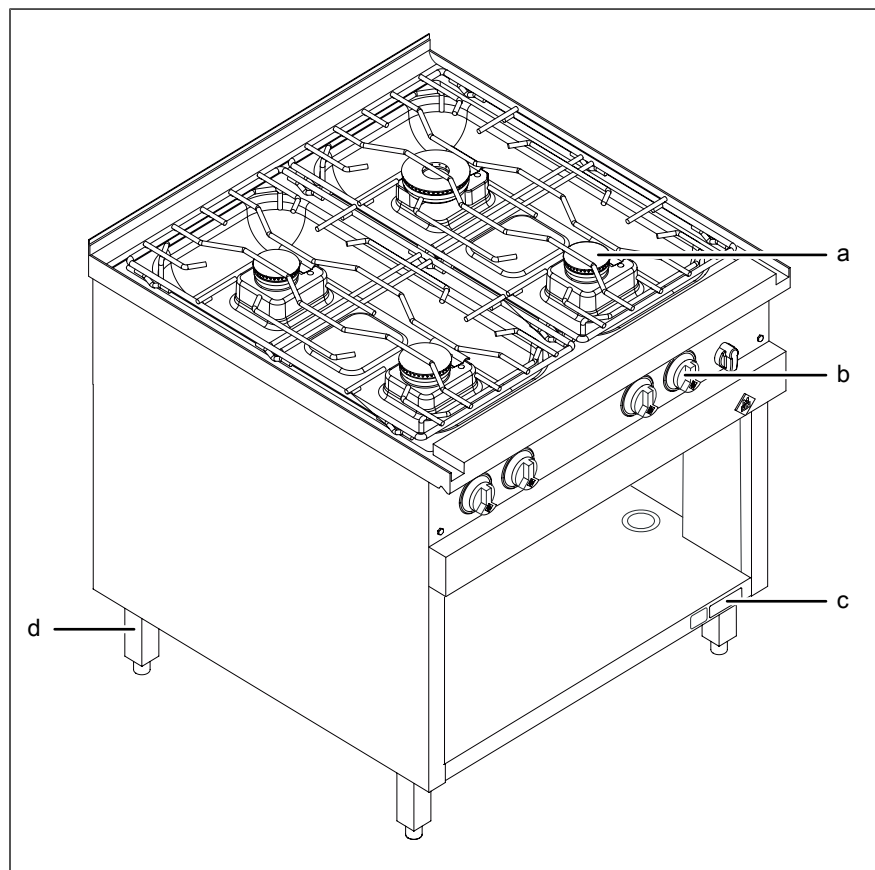


Image: Gas cooker

- | | |
|-----------------|---|
| a Heat zone | c Nameplate and gas type supplemental label |
| b Control panel | d Equipment leg |

4.1.1 Distribution of the burners

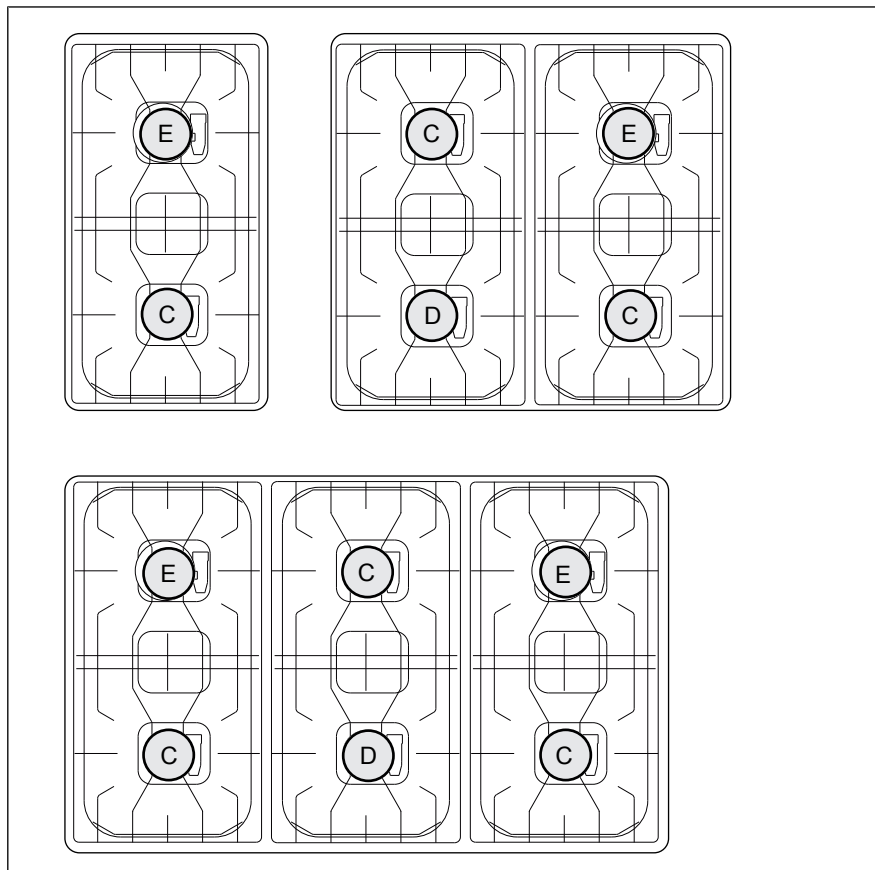


Image: Distribution of the burners

| Type | Output (kW) |
|----------|-------------|
| C burner | 3.5 |
| D burner | 5.6 |
| E burner | 7.0 |

4.2 Function of the operating and display elements

| Operating/display element | Symbol | Designation | Function |
|---------------------------|---------|-------------|---|
| Burner control knob | ● | Off | Switch off the heat zone |
| | ✦ | Ignition | Supply gas to the pilot burner, short operating pause |
| | △ ... △ | Output | Set the flame |
| Gas shut-off valve | 💧 | On | Switch on gas supply |
| | ● | Off | Switch off gas supply |

5 Operating the unit



DANGER

Risk of burns from escaping hot food being cooked

Ensure that cookware can not tilt.



DANGER

Risk of fire from the grate slipping and cookware tilting

Ensure that all heat zones are always covered with a grate or simmer plate. Heat zones with a single grate must not be operated without a grate or simmer plate that is directly adjacent to the hob.



CAUTION

Risk of burns from hot surfaces

- Protect arms and hands by wearing suitable protective gloves.
-

5.1 Tips for use

- Use suitable cooking utensils.
 - Suitable cooking utensils are those made of metal, such as for example steel, stainless steel, copper or cast iron, and they should have a flat bottom.
 - Unsuitable cooking utensils are those made of plastic, glass or ceramics.
- The shape and size of the cooking utensils can be freely selected.
- Avoid overcooking.
- Place the lid on when cooking.
- Switch off heat zones that are not required.

5.2 Switching the unit on and off

5.2.1 Switching on

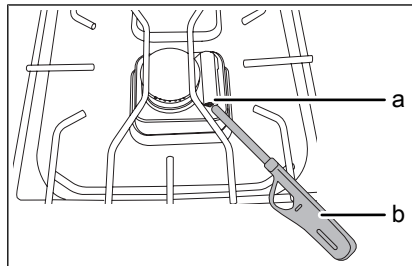


Image: Switching on the heat zone

a Pilot burner

b Lighter

Requirements Gas shut-off valve on the unit is closed

1. Turn the gas shut-off valve to the "●" setting.
 - ↳ Gas shut-off valve on the unit is open.
2. Press the *Burner* control knob and turn it to the "✧" setting.
3. Keep the *Burner* control knob pressed on the "✧" setting.
 - ↳ Gas flows to the pilot burner.
4. Ignite the pilot burner with a suitable lighter.
5. After 10 seconds let go of the *Burner* control knob.
 - ↳ The pilot burner continues to burn automatically.



If there is no ignition, repeat the procedure.

6. Turn the *Burner* control knob to the "△" setting.
 - ↳ The burner is ignited.
 - ↳ The burner burns at full load.
 - ↳ Heat zone is on.

5.2.2 Switching off



During operation the *Burner* control knob is safeguarded against unintentional shifting to the "●" setting.

- Press the *Burner* control knob and turn it to the "●" setting.
 - ↳ Gas supply is stopped.
 - ↳ The burner is switched off.
 - ↳ The pilot burner is switched off.
- ↳ Heat zone is off.

5.3 Basic functions

5.3.1 Setting the output



During operation the *Burner* control knob is safeguarded against unintentional shifting to the "●" setting.



Increase the flame: Turn the *Burner* control knob in the "△" direction.

Reduce the flame: Press the *Burner* control knob and turn it in the "△" direction.

The output can be freely adjusted between full load and partial load.

Requirements Heat zone is on

1. Press the *Burner* control knob and turn it to the "△" setting.
↳ The burner is ignited.
↳ The unit operates at full load.
2. Turn the *Burner* control knob to the "△" setting.
↳ The unit operates under partial load.

5.3.2 Putting on a simmer plate

ATTENTION

Risk of physical damage from improper use

Each burner must always be covered with a grate or simmer plate.



In the case of 2-, 4- and 6-flame cookers, a maximum of one heat zone is allowed to be operated as a simmer plate.

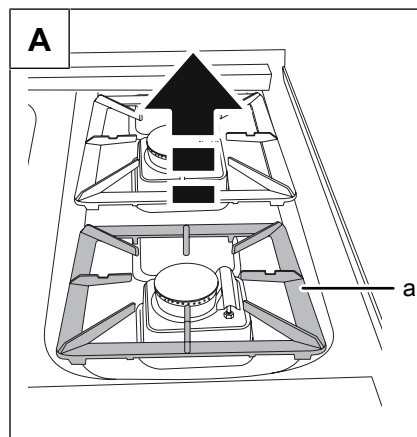
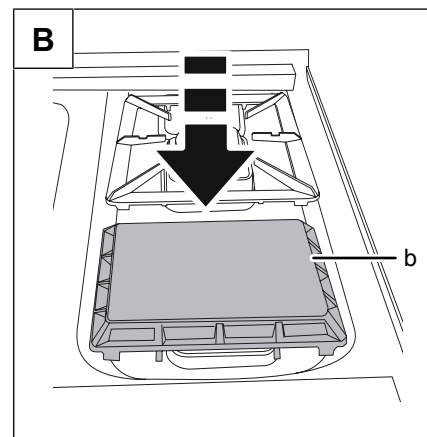


Image: Grate and simmer plate

a Grate



b Simmer plate

The simmer plate can be used for simmering and keeping food warm.

1. Select the heat zone for simmering or keeping food warm.
2. Remove the grate.
3. Put the simmer plate on the burner.
4. Put a single grate on the free heat zone.

5.4 Cooking



CAUTION

Risk of burns from hot surfaces

- Protect arms and hands by wearing suitable protective gloves.



CAUTION

Risk of scalding from hot steam or hot food that is being cooked

Scalding from hot escaping steam or hot food being cooked can occur, when cooking utensils are being opened, closed or moved.

- Cooking utensils must be carefully opened, closed and moved.
- Protect arms and hands by wearing suitable protective gloves.

Cooking encompasses a number of cooking modes, such as for example cooking, frying and braising.

Requirement Unit ready for use

1. Switch on the heat zone (see "Switching the unit on and off").
2. Place cooking utensil on the heat zone.
 - ↳ Distribute a larger cooking utensil evenly over several heat zones.
3. Set the output (see "Basic functions").
 - ↳ The flame changes.
 - ↳ The heat zone is heated.
 - ↳ The cooking utensil is heated.
4. Depending on the desired cooking mode, continue with the cooking of the food.
5. Switch off the heat zone (see "Switching the unit on and off").
 - ↳ The heat zone cools down.
6. Remove the cooking utensil from the heat zone.

5.5 Pausing and end of use

Switch off the unit during pauses and at end of use.

5.5.1 Short pause



When restarting the unit after pauses, first check the function of the pilot burner in order to prevent a flash fire.

1. Press the *Burner* control knob and turn it to the "❖" setting.
 - ↳ The burner is switched off.
 - ↳ The pilot burner remains on.
 2. Press the *Burner* control knob and turn it to the "△" setting.
 - ↳ The burner is ignited.
 - ↳ The burner burns at full load.
- ↳ Heat zone is on.

5.5.2 Long pause and end of use



After being out of operation for a longer period of time, the unit must be checked by an expert, who is approved by the gas utility.

1. Press the *Burner* control knob and turn it to the "●" setting.
 - ↳ Gas supply is stopped.
 - ↳ The burner is switched off.
 - ↳ The pilot burner is switched off.
2. Turn the gas shut-off valve to the "●" setting.
 - ↳ The unit is now off.

5.5.3 Testing the pilot burner function

Requirements Gas shut-off valve on the unit is closed

1. Open the gas shut-off valve on the unit.
 2. Turn the *Burner* control knob to the "❖" setting, press it and hold it pressed.
 - ↳ Gas flows to the pilot burner.
 3. Ignite the pilot burner (see "Switching the unit on and off").
 - ↳ If the pilot burner does not ignite: Close the gas shut-off valve on the unit and contact Customer service.
- ↳ Function tested.

6 Cleaning and caring for the unit



CAUTION

Risk of burns from hot surfaces

- Allow surfaces to cool prior to cleaning.

ATTENTION

Risk of physical damage from extremely abrupt cooling

- Do not cool shock the unit by cooling it abruptly.

ATTENTION

Risk of physical damage from improper cleaning

- Do not clean the unit with a high-pressure cleaner or water jet.

ATTENTION

Risk of physical damage through penetration of water

- Do not close the discharge channel and do not fill with water.

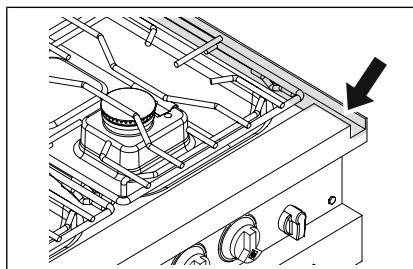


Image: Discharge channel

6.1 Preventing corrosion

- Keep the surfaces of the unit clean and with access to air.
- Remove lime, grease, starch and protein deposits.
- Only expose parts made from non-rusting steel to brief contact with highly acidic foods, spices, salts or the like.
- Avoid damaging the stainless steel surface with other metal items, for example steel spatulas or steel wire brushes.
- Prevent contact with iron and steel, for example steel wool and steel spatulas.
- Do not use bleaching or chlorine-containing cleaning agents.
- Clean contact surfaces with water.

6.2 Removing rust spots

- Remove fresh rust spots with a mild abrasive or fine sandpaper.
- Always remove rust spots completely.
- Expose treated areas to fresh air for at least 24 hours. During this time, do not allow any contact with greases, oils or foods so that a new protective layer can form.

6.3 Cleaning the housing

ATTENTION

Risk of physical damage from improper cleaning

- Do not clean the housing with highly abrasive or chemically aggressive cleaning agents.
 - Do not clean the housing with highly abrasive sponges.
-

Requirement Unit switched off and cooled down

→ Clean the housing with warm water and commercially available washing-up liquid.

6.4 Cleaning heat zone

Requirement Gas shut-off valve closed
Burner switched off and cooled down

1. Remove and clean the grate.
2. Remove and clean the simmer plate.
3. Wipe off light contamination with a damp cloth.
↳ Use a mild cleaning agent.
4. Remove heavy contamination with a stainless steel spatula or steel wire pad.
5. Rinse thoroughly with clear water.
6. Wipe dry with a lint-free cloth.

Tip In order to care for the rust protection, or if it has been worn away, apply a special care product or thin oil film.

6.5 Cleaning the burners



The pilot burner discharge openings must be free.



Carefully dry the heat zone, burner and pilot burner after cleaning, so that corrosion is prevented.



Dry the burner and pilot burner by heating them up.

To ensure the reliable function of the unit, regularly clean the burner head, burner cap, pilot burner and thermocouple.

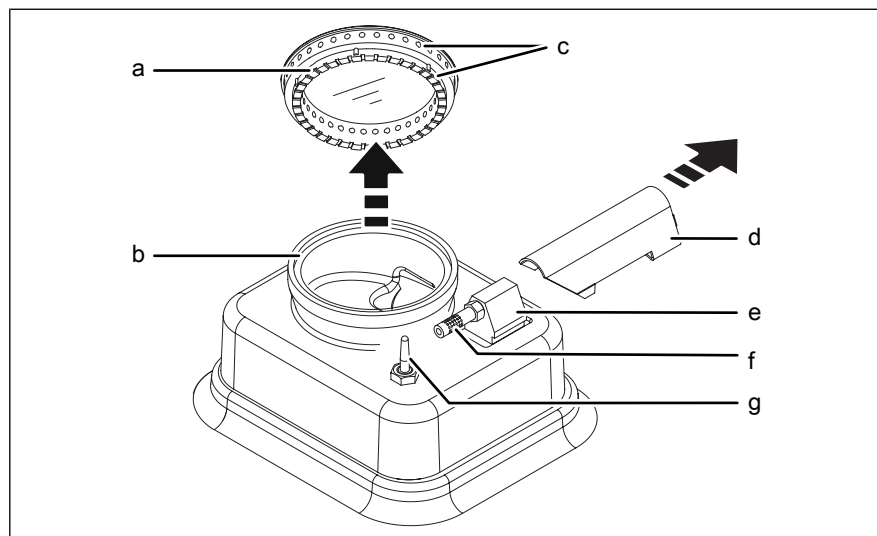


Image: Burner with pilot burner

- | | |
|-------------------------------|------------------------|
| a Burner cap | e Pilot burner |
| b Burner head | f Pilot burner orifice |
| c Burner cap orifice | g Thermocouple |
| d Pilot burner protection cap | |

Requirement Gas shut-off valve closed
Burner switched off and cooled down

1. Remove the burner cap.
2. Clean the burner cap orifice.
3. Clean the burner cap support on the burner head with a soft brush.
4. Wipe off light contamination with a damp cloth.
5. Wipe dry with a lint-free cloth.
6. After cleaning, place the burner cap on the burner head.
7. Slide the pilot burner protection cap away from the pilot burner and lift it off.
8. Clean the pilot burner and thermocouple with a soft brush.
9. Wipe off light contamination with a damp cloth.

10. Wipe dry with a lint-free cloth.
11. Slide the pilot burner protection cap over the pilot burner as far as it will go.
12. Heat the burner at full load for several minutes.
 - ↳ The burner and pilot burner are dry.
 - ↳ The heat zone is dry.
13. Switch off the burner.

7 Troubleshooting



DANGER

Risk of fatal injury from escaping gas

- Gas installation work on the gas system and unit may only be performed by an expert approved by the gas utility. The applicable regional regulations of the gas utility must be observed.

7.1 Cause of failure and the remedy

| Failure | Possible causes | Remedy |
|----------------------------------|--|--|
| Operating element does not react | <i>Burner</i> control knob is defective | <ul style="list-style-type: none"> • Close the gas shut-off valve on the unit. • Contact Customer service. |
| Heat zone does not heat up | Heat zone is off | <ul style="list-style-type: none"> • Switch on the heat zone. |
| | Gas supply interrupted | <ul style="list-style-type: none"> • Open the gas shut-off valve on the unit. • Contact Customer service. |
| | Unit is defective | <ul style="list-style-type: none"> • Close the gas shut-off valve on the unit. • Contact Customer service. |
| | The thermocouple is defective | <ul style="list-style-type: none"> • Close the gas shut-off valve on the unit. • Contact Customer service. |
| Insufficient heat output | Unit is defective | <ul style="list-style-type: none"> • Close the gas shut-off valve on the unit. • Contact Customer service. |
| Smell of gas | Gas is escaping | <ul style="list-style-type: none"> • Follow the rules of conduct when the smell of gas is detected. |
| Pilot burner does not ignite | <i>Burner</i> control knob is not on the "✧" setting | <ul style="list-style-type: none"> • Press the <i>Burner</i> control knob in the "✧" setting and keep it pressed. • Ignite the pilot burner. |
| | Unit is defective | <ul style="list-style-type: none"> • Close the gas shut-off valve on the unit. • Contact Customer service. |

7.2 Nameplate

When contacting Customer service, please always provide the following data from the nameplate:

| | |
|--------------------|--|
| Serial number (SN) | |
| Type number (TYP) | |

8 Carrying out maintenance

The manufacturer recommends a visual inspection of the accessible components of the unit by the system operator at intervals of 12 months.

In order that the value of the unit is retained, the manufacturer recommends that maintenance is carried out on a needs basis by a maintenance company, which is approved by the gas utility.

| Maintenance: visual inspection | Maintenance interval | Carried out by |
|---|----------------------|----------------|
| Gas type supplemental label <ul style="list-style-type: none"> • Present • Legible • Accords with the available gas type | • 12 months | Operator |
| Nameplate <ul style="list-style-type: none"> • Present • Legible | • 12 months | Operator |
| Housing <ul style="list-style-type: none"> • Deformations • Scratches • Discolouration | • 12 months | Operator |
| Cooktop <ul style="list-style-type: none"> • Damage • Cracks | • 12 months | Operator |
| Operating elements <ul style="list-style-type: none"> • Damage • Deformations | • 12 months | Operator |
| Alignment of the unit <ul style="list-style-type: none"> • Horizontal | • 12 months | Operator |
| Supply air openings on the unit <ul style="list-style-type: none"> • Contamination | • 12 months | Operator |
| Supply air and exhaust gas routing <ul style="list-style-type: none"> • Present • Functional | • 12 months | Operator |

If the unit shows any deficiencies, it is generally recommended that a check is performed by a specialist company, which is approved by the gas utility.

9 Disposing of the unit in an environmentally responsible manner

Do not dispose of unit or the unit's components together with non-recyclable waste. If the unit is disposed of together with non-recyclable waste or treated improperly, toxic substances contained in the unit can damage health and pollute the environment.

Dispose of the unit in accordance with local regulations for used appliances. Clarify any open questions with the responsible agencies (for instance, solid waste management).

Unit In addition to valuable materials, used electrical and electronic equipment also contains harmful substances that were needed for their operation and safety.

Cleaning agents Dispose of leftover cleaning agents and cleaning agent containers in accordance with the information provided by the cleaning agent's manufacturer. Observe applicable regional regulations.

10 Manufacturer's declaration



EC Declaration of Conformity



Manufacturer

MKN Maschinenfabrik Kurt Neubauer GmbH & Co. KG • Halberstädter Straße 2a • 38300 Wolfenbüttel, Germany

We hereby declare, that the following product:

| Description of the unit |
|--|
| Unit for cooking food in commercial applications |

| Designation / Unit type |
|---|
| Gas cooker, Gas cooktop, Gas cooker / XXGHED..., XXGKFE..., XXGKOH... |

| Unit number | | | | | | | |
|-------------|----------|----------|----------|----------|----------|----------|----------|
| 0764803 | 0764808 | 0764809 | 1263402 | 1263404 | 1363402 | 1363404 | 1464802 |
| 1464803 | 1464808 | 1464809 | 1464810 | 1464811 | 2063401 | 2063402 | 2063405 |
| 2163401 | 2163402 | 2163405 | 3063401 | 3063402 | 3063405 | 10010029 | 10010030 |
| 10010306 | 10011118 | 10011575 | 10013064 | 10013080 | 10013302 | 10013304 | |

complies with the relevant provisions of the following directives and regulations, but does not contain any assurance of properties:

- Directive 2009/142/EC, dated 30 November 2009, relating to appliances burning gaseous fuels
- Directive 2011/65/EU (RoHS) dated 01 July 2011

We hereby declare, that the listed units comply with the type of construction described in the EU Type Examination Certificate, and that they meet the requirements of the specified Gas Appliances Directive.

Product identification number of the EU type examination certificate:
CE-0085CL0512

| Adduced basis for verification |
|--------------------------------|
| EN 203-1:2014 |
| EN 203-2-1:2015 |

The manufacturer bears the sole responsibility for issuing this Declaration of Conformity. This Declaration of Conformity becomes invalid, if changes are made which are not agreed with us.

Translation from the original document • 2063401--0KODE-B

Wolfenbüttel, 20/04/2017

Person authorised to compile the technical documents:

ppa. Peter Helm, Chief Technical Officer (address as manufacturer)



www.mkn.eu

